

**MIL-DTL-22992**

# DUST CAPS & DUMMY RECEPTACLES



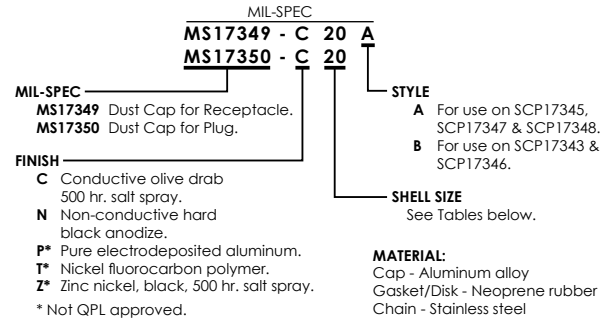
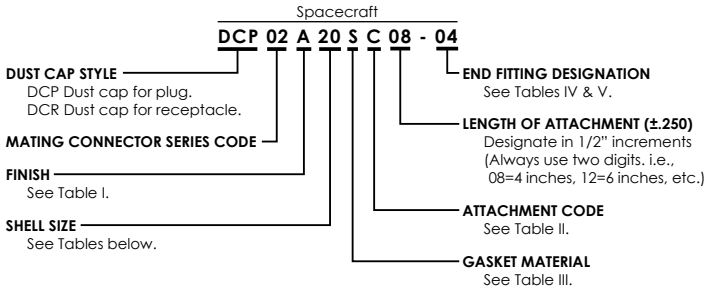
MS17349, MS17350 & MS18062  
for Class C, J & R Connectors

MS90563 & MS90564  
for Class L Connectors

- ▶ Military Approved (Class C & N Only)
- ▶ Special Platings Available
- ▶ Extensive Inventory

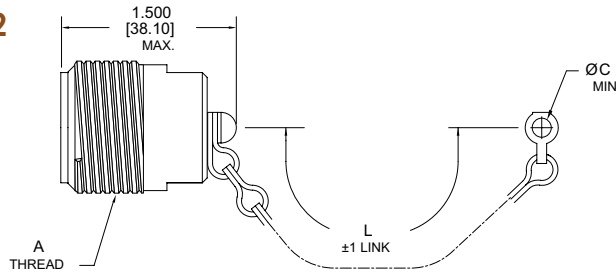


# DUST CAPS & DUMMY RECEPTACLES - MIL-DTL-22992



## Dust Cap for Plug

### MS17350 DCP02

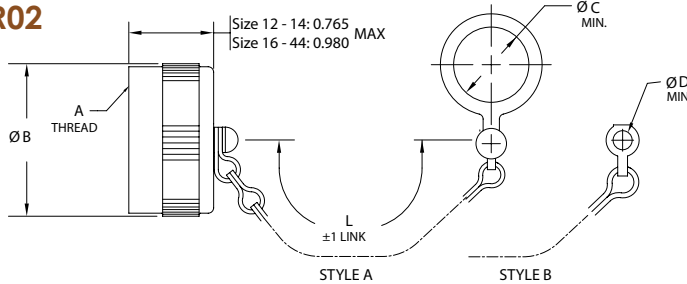


Shell Size	A Thread Class 2A	ØC* Min.	L ±1 Link
12	.875-0.1P-0.2L-DS	0.150 [3.81]	5.00 [127.00]
14	1.000-0.1P-0.2L-DS	0.150 [3.81]	5.00 [127.00]
16	1.125-0.1P-0.2L-DS	0.150 [3.81]	5.00 [127.00]
18	1.250-0.1P-0.2L-DS	0.177 [4.50]	5.00 [127.00]
20	1.375-0.1P-0.2L-DS	0.177 [4.50]	5.00 [127.00]
22	1.500-0.1P-0.2L-DS	0.177 [4.50]	6.00 [152.40]
24	1.750-0.1P-0.2L-DS	0.177 [4.50]	6.00 [152.40]
28	2.000-0.1P-0.2L-DS	0.177 [4.50]	6.00 [152.40]
32	2.250-0.1P-0.2L-DS	0.199 [5.05]	6.00 [152.40]
36	2.500-0.1P-0.2L-DS	0.199 [5.05]	6.00 [152.40]
40	2.750-0.1P-0.2L-DS	0.199 [5.05]	6.00 [152.40]
44	3.000-0.1P-0.2L-DS	0.199 [5.05]	6.00 [152.40]

1. Dimensions in brackets [ ] are in millimeters.  
\* "C" dimensions only applicable for MS17350. For DCR02 use end fitting code.

## Dust Cap for Receptacle

### MS17349 DCR02

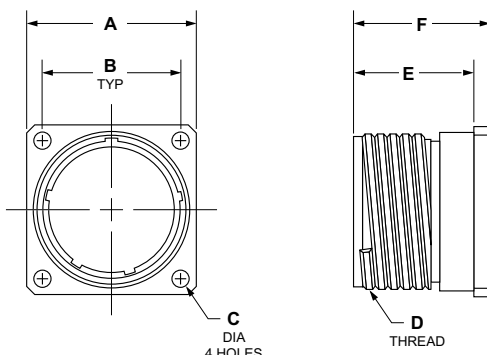
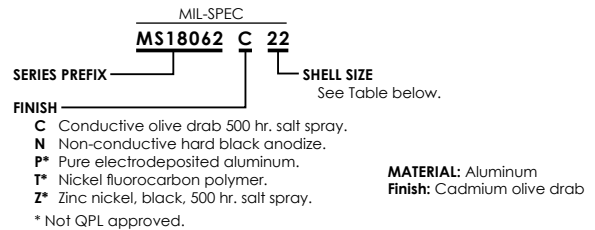
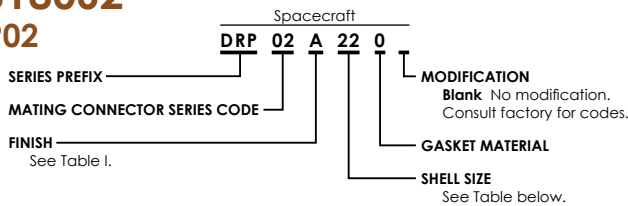


Shell Size	A Thread Class 2B	B Max.	ØC* Min.	ØD* Min.	L ±1 Link
12	.875-0.1P-0.2L-DS	1.094 [27.79]	1.106 [28.09]	0.150 [3.81]	5.00 [127.0]
14	1.000-0.1P-0.2L-DS	1.219 [30.96]	1.141 [28.98]	0.150 [3.81]	5.00 [127.0]
16	1.125-0.1P-0.2L-DS	1.344 [34.14]	1.266 [32.16]	0.150 [3.81]	5.00 [127.0]
18	1.250-0.1P-0.2L-DS	1.469 [37.31]	1.391 [35.33]	0.177 [4.50]	5.00 [127.0]
20	1.375-0.1P-0.2L-DS	1.562 [39.67]	1.516 [38.51]	0.177 [4.50]	5.00 [127.0]
22	1.500-0.1P-0.2L-DS	1.688 [42.88]	1.641 [41.68]	0.177 [4.50]	6.00 [152.4]
24	1.750-0.1P-0.2L-DS	1.938 [49.23]	1.891 [48.03]	0.177 [4.50]	6.00 [152.4]
28	2.000-0.1P-0.2L-DS	2.219 [56.36]	2.141 [54.38]	0.177 [4.50]	6.00 [152.4]
32	2.250-0.1P-0.2L-DS	2.469 [62.71]	2.391 [60.73]	0.177 [4.50]	6.00 [152.4]
36	2.500-0.1P-0.2L-DS	2.719 [69.06]	2.641 [67.08]	0.199 [5.05]	6.00 [152.4]
40	2.750-0.1P-0.2L-DS	2.969 [75.41]	2.891 [73.43]	0.199 [5.05]	6.00 [152.4]
44	3.000-0.1P-0.2L-DS	3.219 [81.76]	3.141 [79.78]	0.199 [5.05]	6.00 [152.4]

1. Dimensions in brackets [ ] are in millimeters.  
\* "C, D" dimensions only applicable for MS17349. For DCP02 use end fitting code.

## Dummy Receptacle

### MS18062 DRP02



Shell Size	A +.021 -.020	B	C ±.005	D Thread Class 2A	E +.010 -.000	F +.021 -.010
12	1.188 [30.18]	0.906 [23.01]	0.150 [3.81]	.8750-0.1P-0.2L-DS	0.797 [20.24]	0.938 [23.83]
14	1.281 [32.54]	0.969 [24.61]	0.150 [3.81]	1.000-0.1P-0.2L-DS	0.797 [20.24]	0.938 [23.83]
16	1.375 [34.93]	1.062 [26.97]	0.150 [3.81]	1.1250-0.1P-0.2L-DS	0.797 [20.24]	0.938 [23.83]
18	1.500 [38.10]	1.156 [29.36]	0.177 [4.50]	1.2500-0.1P-0.2L-DS	0.797 [20.24]	0.953 [24.21]
20	1.625 [41.28]	1.250 [31.75]	0.177 [4.50]	1.3750-0.1P-0.2L-DS	0.797 [20.24]	0.953 [24.21]
22	1.750 [44.45]	1.375 [34.93]	0.177 [4.50]	1.5000-0.1 P-0.2L-DS	0.797 [20.24]	0.953 [24.21]
24	2.000 [50.80]	1.562 [39.67]	0.177 [4.50]	1.7500-0.1P-0.2L-DS	0.859 [21.82]	1.047 [26.59]
28	2.250 [57.15]	1.750 [44.45]	0.177 [4.50]	2.0000-0.1 P-0.2L-DS	0.859 [21.82]	1.047 [26.59]
32	2.500 [63.50]	1.938 [49.23]	0.209 [5.31]	2.2500-0.1 P-0.2L-DS	0.922 [23.42]	1.110 [28.19]
36	2.750 [69.85]	2.188 [55.58]	0.209 [5.31]	2.5000-0.1P-0.2L-DS	0.922 [23.42]	1.110 [28.19]
40	3.000 [76.20]	2.375 [60.33]	0.209 [5.31]	2.7500-0.1 P-0.2L-DS	0.922 [23.42]	1.110 [28.19]
44	3.250 [82.55]	2.625 [66.68]	0.209 [5.31]	3.0000-0.1 P-0.2L-DS	0.922 [23.42]	1.109 [28.17]

1. Dimensions in brackets [ ] are in millimeters.



**SPACECRAFT  
COMPONENTS CORP.**

3040 Clayton Street  
North Las Vegas, NV 89032

Phone: 702.851.7600  
Fax: 702.851.7620

Email: salesinfo@spacecraft.com  
Web: www.spacecraft.com

# MIL-DTL-22992 - DUST CAPS & DUMMY RECEPTACLES

SPACECRAFT CODES FOR:   
 DUST CAP FOR PLUG: **DCP**   
 DUST CAP FOR RECEPTACLE: **DCR**   
 DUMMY RECEPTACLE: **DRP**

**TABLE I. FINISH CODES**  
 CONSULT FACTORY FOR OTHER AVAILABLE FINISHES

Spacecraft Code	Finish	Specification(s)
H	● Anodize, Black	AMS-A-8625, Type II, Class 2
B	● Cadmium Plate, Black	AMS-QQ-P-416, Type II, Class 3
X	● Cadmium Plate, Bright Over Electroless Nickel	AMS-QQ-P-416, Type I, Class 3 ASTMB 733-90, SC2, Type I, Class 5 over AMS-C-26074, Class 4, Grade B
E	● Cadmium Plate, Gold Iridite, Over Electroless Nickel	MIL-C-5541, Class 3 AMS-QQ-P-416, Type II, Class 3 over AMS-C-26074, Class 4, Grade B
C	● Cadmium Plate, Olive Drab	AMS-QQ-P-416, Type II, Class 3, 48 Hours
A	● Cadmium Plate, Olive Drab Over Electroless Nickel	1000 Hour Corrosion Resistance
N	● Electroless Nickel	AMS-C-26074, Class 4, Grade B
L	● Zinc Cobalt, Dark Olive Drab	96 Hour Corrosion Resistance
P	● Passivated, Stainless Steel	AMS-QQ-P-35
T	● Nickel, Fluorocarbon Polymer	500 Hour Corrosion Resistance
W	● Zinc Nickel, Black	ASTM B841 Type D

**TABLE II. ATTACHMENT CODES**

Attachment Code	Description
A	No Attachment Required
B	Bead Chain, Brass, Nickel Plated
C	Sash Chain, SST, Passivated
D	Bead Chain, SST, Passivated
E	Bead Chain, Brass, Cadmium, Olive Drab Plated
F	Bead Chain, Brass, Unfinished
I	Bead Chain, Brass, Black Oxide Finish
N	Wire Rope, No Jacket
P	Wire Rope, Polyurethane Jacket with Terminal
R	Wire Rope, SST, PVC Covered, Green Color
T	Wire Rope, SST, Teflon Covered, Natural Cover
U	Wire Rope, SST, Nylon Covered, Brown Color
V	Wire Rope, SST, Viton Covered, Black Color
W	Nylon Cord, Green Color, SST Terminal

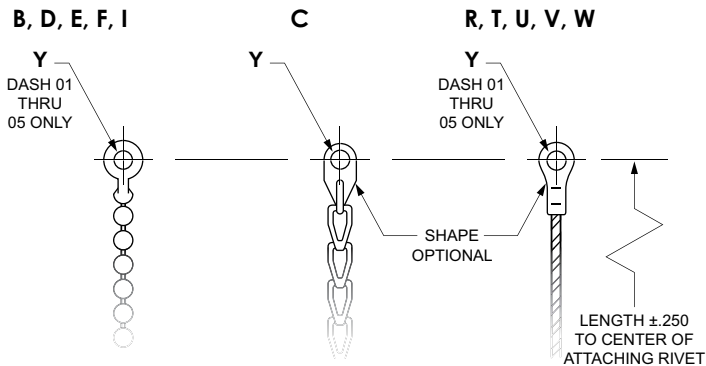
**TABLE III. GASKET MATERIAL CODES**

Material Code	Material Description
A	Fluorosilicone, Blue
N	Neoprene, Black, MIL-R-3065
O	None Required
S	Silicone, Red, ZZ-R-765
C	Conductive Silicone

**TABLE IV. EYELET END FITTING STYLES AND SIZES (NOT USED WITH ATTACHMENT CODE A)**

Dash No. Code	Y Ref. Dia.
00	No Eyelet
01	.125
02	.141
03	.167
04	.188
05	.219
06	.250
07	.156
08	.121

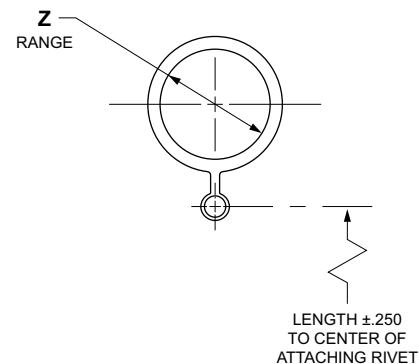
USED WITH ATTACHMENT CODES:



**TABLE V. RING END FITTING SIZES (NOT USED WITH ATTACHMENT CODE A)**

DASH NO. CODE	Z RANGE	DASH NO. CODE	Z RANGE	DASH NO. CODE	Z RANGE
33	.401 - .391	15	1.072 - 1.052	24	2.088 - 2.078
34	.454 - 444	16	1.198 - 1.178	25	2.151 - 2.141
35	.464 - .454	17	1.322 - 1.302	26	2.276 - 2.266
36	.526 - .516	18	1.448 - 1.428	27	2.338 - 2.328
11	.604 - .584	19	1.572 - 1.552	28	2.401 - 2.391
37	.651 - .641	20	1.698 - 1.678	29	2.526 - 2.516
12	.729 - .709	21	1.822 - 1.802	30	2.651 - 2.641
13	.885 - .865	22	1.948 - 1.928	31	2.901 - 2.891
14	.948 - .918	23	2.026 - 2.016	32	3.026 - 3.016

USED WITH ATTACHMENT CODES: **B THRU W**



# SPACECRAFT COMPONENTS CORP.

Your Connector Consultant Since 1962

## Try Our Other Connector Products



SCP 5015 STYLE CONNECTORS (CATALOG 102)



SCPT 26482 STYLE SC1 38999 SERIES I SC2 38999 SERIES II SC39 38999 SERIES III (CATALOG 202)



SCPB SERIES (CATALOG 302)



CONNECTOR ACCESSORIES (CATALOG 402)



CONNECTORS WITH INTEGRATED BACKSHELLS (CATALOG 601)



## Get All of Our Catalogs & Product Brochures on One Disc



## SPACECRAFT COMPONENTS CORP.



### Headquarters

3040 Clayton Street  
North Las Vegas, NV 89032

Phone: 702.851.7600  
Fax: 702.851.7620

Email: [salesinfo@spacecraft.com](mailto:salesinfo@spacecraft.com)  
Web: [www.spacecraft.com](http://www.spacecraft.com)

**Florida Office**  
4577 Nob Hill Road  
Suite 106  
Sunrise, FL 33351  
Tel: 954.748.4540  
Fax: 954.748.4128

**Arizona Office**  
2432 W. Peoria Ave.  
Suite 1192  
Phoenix, AZ 85029  
Tel: 602.944.2351  
Fax: 602.997.0373

**South Carolina Office**  
25 Woods Lake Road  
Suite 403  
Greenville, SC 29607  
Tel: 954.748.4540  
Fax: 954.748.4128

**Italy Office**  
Spacecraft Components, SpA  
Milan, Italy  
+39 (335) 719.4512

COMING SOON...  
All Plastic Connectors  
CATALOG 701

AUG.2016  
SF-141

COMPILED AND PRODUCED BY SPACECRAFT COMPONENTS CORP.  
©2016 SPACECRAFT COMPONENTS CORP., NORTH LAS VEGAS, NV 89032